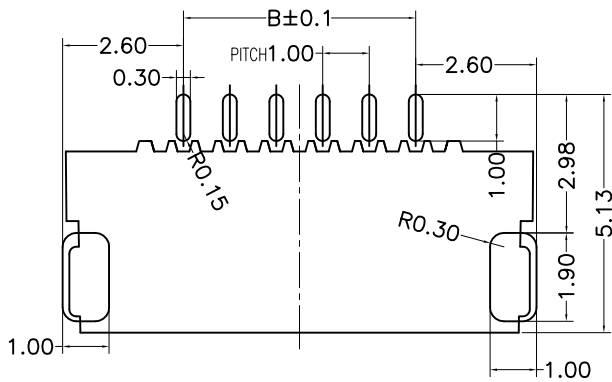
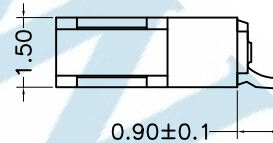
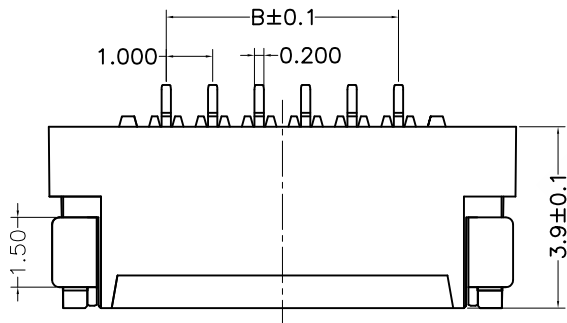
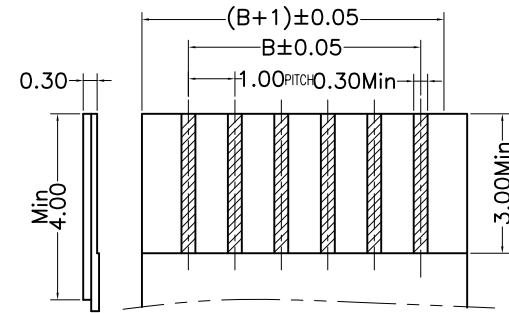
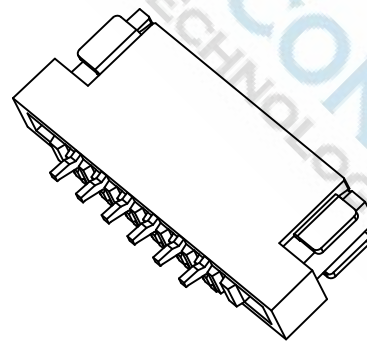


SECTION D-D



PCB LAYOUT



NOTE:

1.MATERIAL

HOUSING:NYLON 46 OR LCP UL 94-V0

CONTACTS: BRASS T=0.20

LEG:BRASS T=0.20

2.PLATING:

CONTACTS:TIN OVER NICKEL

LEG:TIN OVER NICKEL

ORDER INFORMATION

WF10G3	XX	P	R
SERIES NO.	PIN No.	CONTACT PLATING P: Pure Tin G1: 1u Gold ...	PACKAGE T: Tube R: Tape/Reel

PIN NO.	DIM. A	DIM. B	DIM. C
4~N~30	N+4.03	N-1.00	N+1.07

DIMENSIONS TOLERANCE

METRIC

.0±0.30
.00±0.20
.000±0.10
ANG=±2°

單位(UNITS)	MM	處理(FINISH)	SEE NOTE	審核(CH'K)	Calvin
數量(QT'Y)	N/A	繪圖(DRAW)	Johnson	核准(APP'D)	Selena
材料(MT'L)	SEE NOTE	設計(DE'N)	Mike	日期 (DATE)	OCT.15.2007

圖名(NAME)

FPC Pitch:1.0mm 1.5H 無蓋 臥貼式

料號(PART NUMBER)	WF10G3-xx-P-R
圖號(DRAW NUMBER)	T001
圖檔(FILE NAME .DWG)	

WISCONN Technology Co., Ltd
Tel:02-2742-1798 Fax:02-2742-1898

比例 (SCALED)	1/1	圖紙 (SIZE)	A4	頁次 (SHEET)	1	版次 (REV.)	A
-------------	-----	-----------	----	------------	---	-----------	---